

# Vacuum Pressure Valve



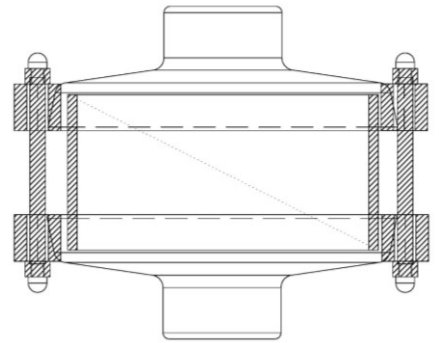
## Description

Vacuum pressure valves protect the oil inside ester oil filled free-breathing transformers from constant exposure to the surrounding air.

The surrounding air contains oxygen which causes ester oil to degrade.

## Operation

As the oil inside free-breathing transformers expand and contract due to heating & cooling, free air is continuously sucked into or pushed out of their tanks.



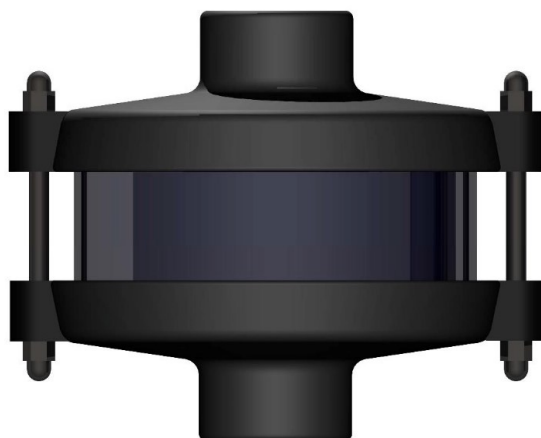
Vacuum pressure valves are installed in-line, between transformer tanks and silica-gel breather canisters. (see picture).

They only open momentarily to release pressure or vacuum conditions that develop inside transformer tanks but remain shut otherwise.

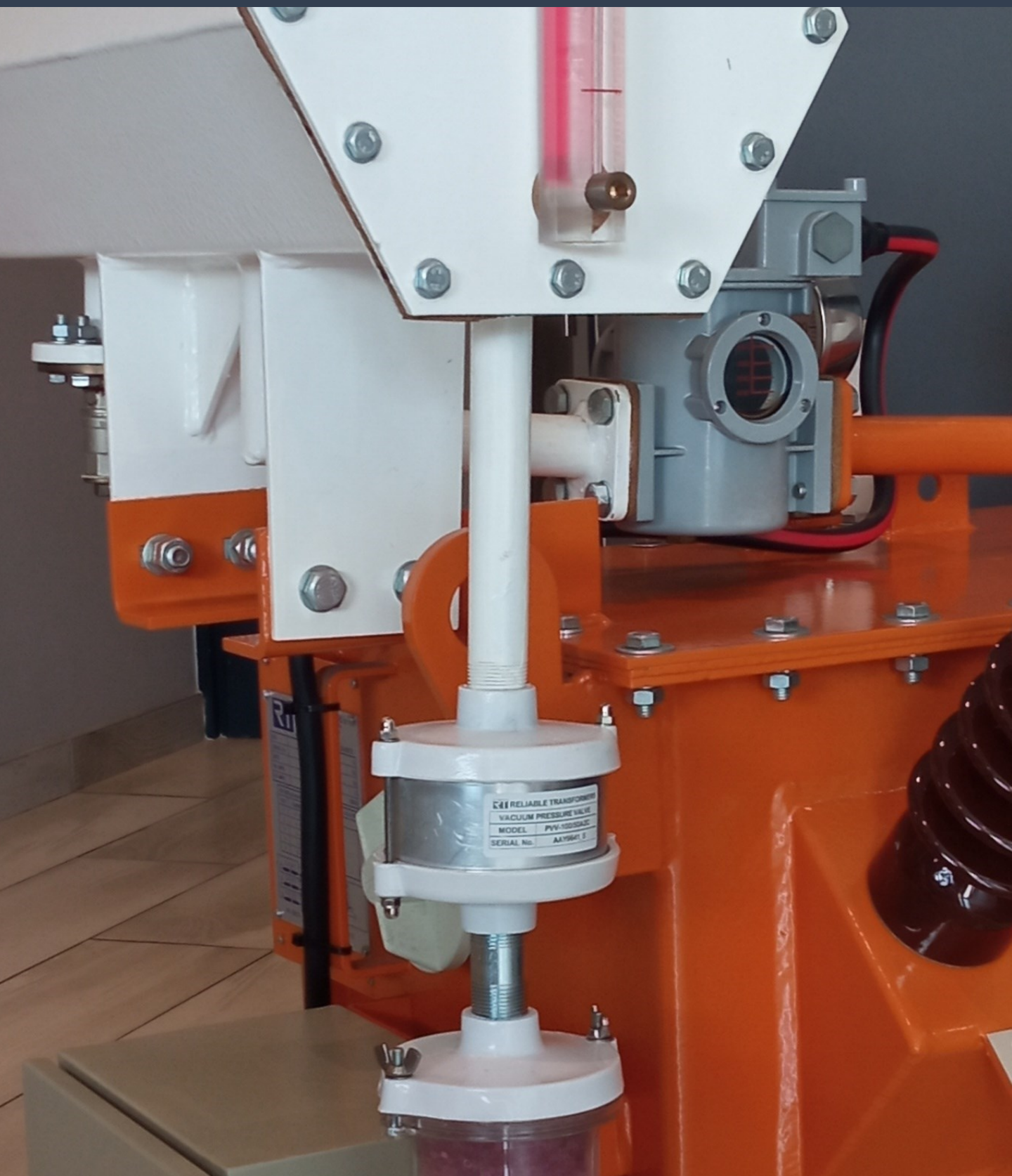
## Durability

The VPV range of vacuum pressure valves are manufactured from long-lasting and durable parts and will provide many years of service, even in harsh outdoor conditions.

VPV-100-50A2C



# Vacuum Pressure Valve



[sales@reltrans.co.za](mailto:sales@reltrans.co.za)



(011) 421 2333



[www.reltrans.co.za](http://www.reltrans.co.za)